



Bage Double 84-LA00-LED

Type: Suspension/Pendant

Matériaux/Materials: Aluminium powder coat

Specifications: Bande LED Stripe • Driver 60W24VDC

Poids/Weight: 10 lb.

Garantie/Warranty: 2 ans/years

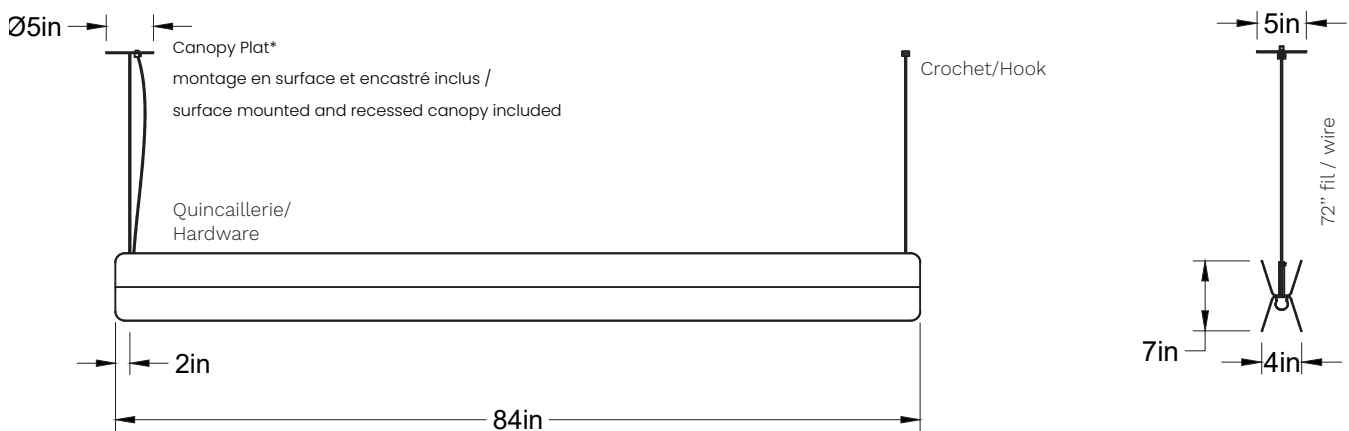
Certification: cUL^{us}

Usage intérieur seulement/Indoor use only

Lien 3D/link: [Cliquez ici/Click here](#)

Pour tous les fichiers 3D, incluant CAD, Revit et IES, visitez le www.luminaireauthentik.com

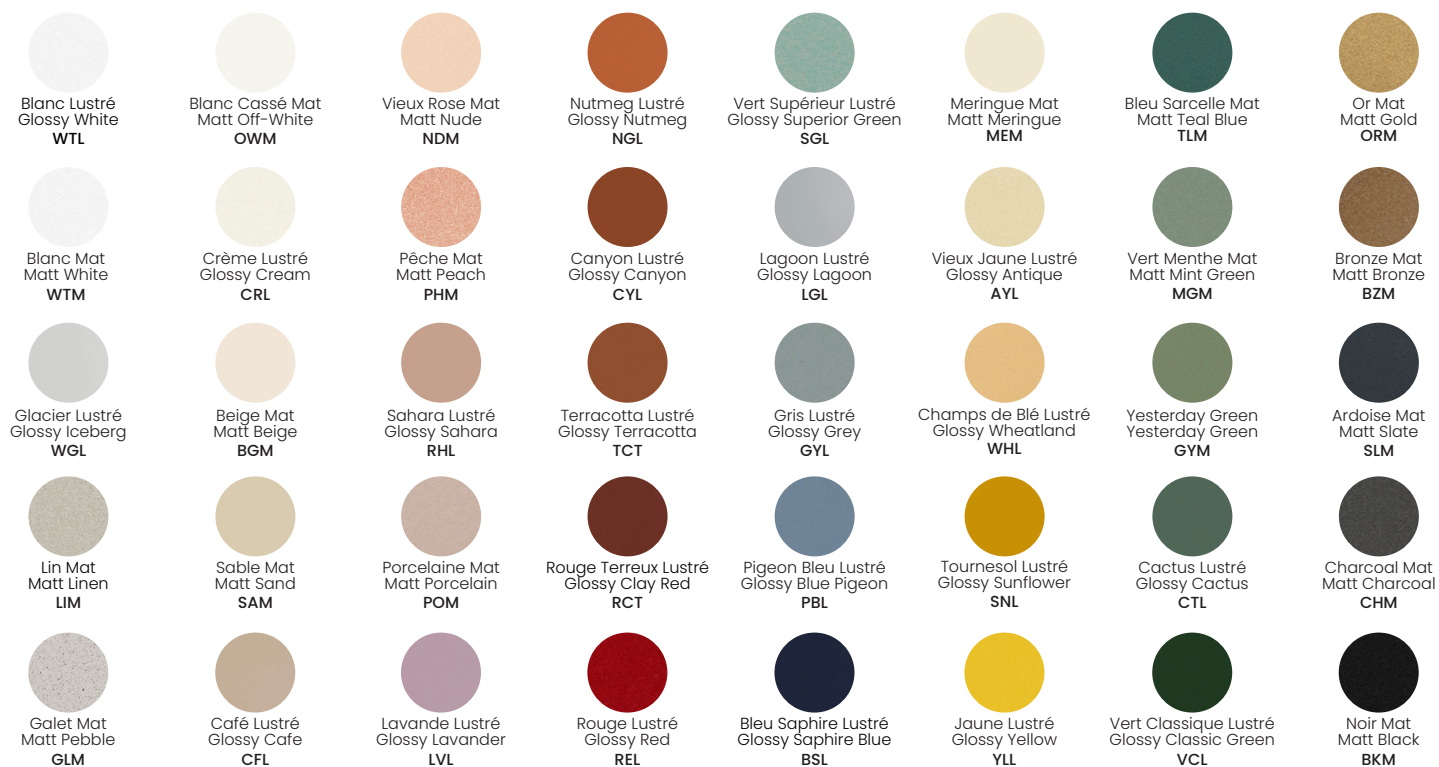
For 3D drawings of all products, including CAD, Revit and IES files, please visit www.luminaireauthentik.com



Avant/Front

Côté/Side

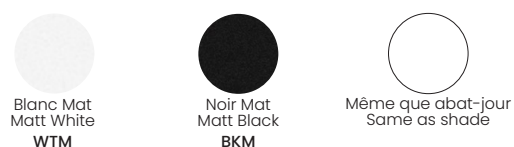
Choisir la couleur de l'abat-jour / Choose shade colour



Choisir la couleur du fil (6' de base et +) / Choose wire colour (6' standard and +)



Choisir la couleur de canopy / Choose canopy colour



Choisir la couleur de la quincaillerie / Choose hardware colour



Laiton
Brass
BRR



Nickel
Nickel
NIR



Même couleur que abat-jour
Same as colour shade

Choisir la couleur de quincaillerie de suspension / Choose suspension hardware colour



Laiton
Brass
BRR



Nickel Satin
Satin Nickel
NIR

Choisir la couleur de câble de suspension / Choose suspension cable colour



Acier
Stainless Steel
CST



Noir
Black
CBK

Choisir la couleur de crochet / Choose hook colour



Laiton
Brass
BRR



Nickel Satin
Satin Nickel
NIR



Noir Mat
Matt Black
BKM



Blanc Mat
Matt White
WTM

Choisir les options de la bande LED / Choose LED Strip options



275 L - 3W - 24K TO 35K
DIMMABLE
(275L/3W/24K-35K/D-W)



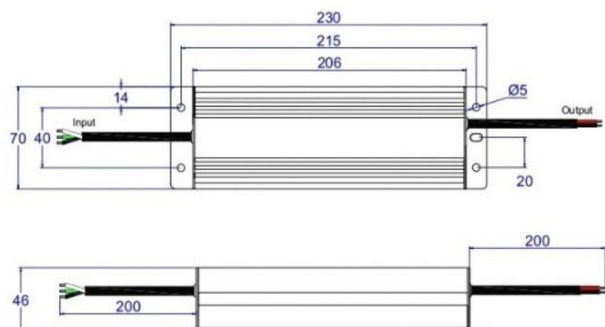
460 L - 6W - 3000K DIMMABLE
(460L/6W/30K/DIM)



610 L - 6W - 27K TO 35K DIMMABLE
(610L/6W/27K-35K/D-W)

Specification de transformateur/ Driver specifications

Dimension



Label

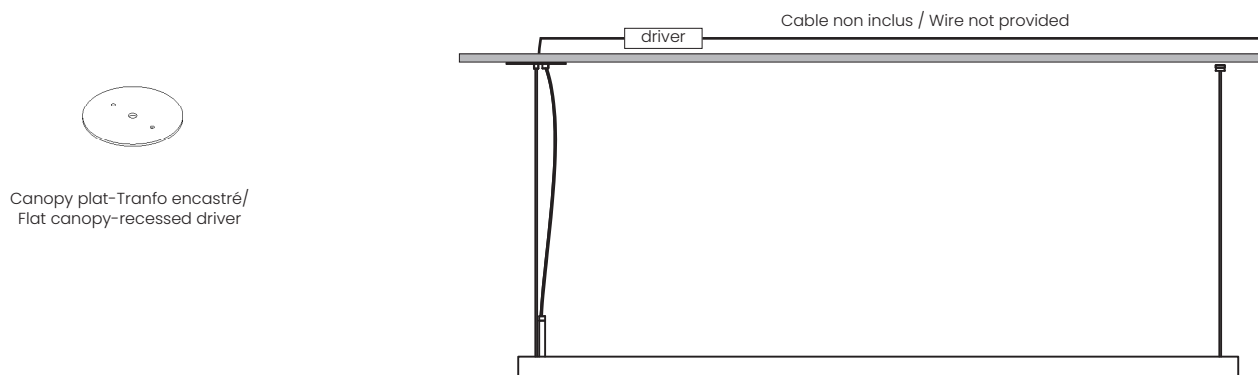


※ Input black(L) and white(N) wires to be connected AC, Green wire to be connected ground; output red and black wires to be connected led lighting.

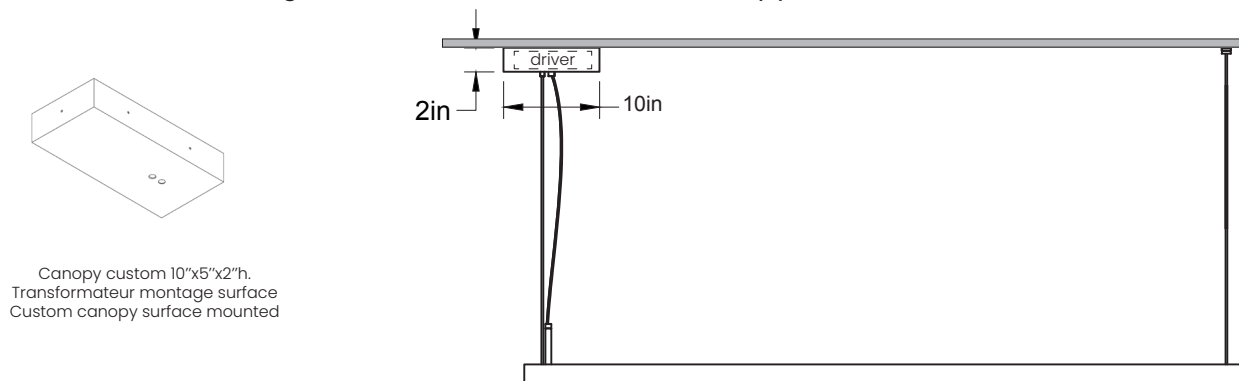
Model	KVP-24080-TDL	KVP-24096-TDL
Certificates	ETL,cETL,FCC	ETL,cETL,FCC
Output	DC Voltage	24V
	Voltage Tolerance	±0.5V
	Rated current	3.33A
	Rated power	80W
Input	Voltage Range	100~130VAC
	Frequency Range	50~60HZ
	Power Factor	0.65(Full loading)
	Efficiency (Typ.)	83%
	AC Current (Max.)	1.70A
	Leakage current	< 0.50mA/120VAC
Protection	Short Circuit	Hiccup mode, recover automatically after fault condition is removed
	Over Current	≤1.2*I out
	Over Loading	≤120%
	Over temperature	100℃±10℃, Shut down o/p voltage, recover automatically after temperature goes down.
Environment	Working TEMP.	-40~+60℃
	Working Humidity	20~95%RH, non-condensing
	Storage TEMP. Humidity	-40~+80℃, 10~95%RH
	TEMP. coefficient	±0.03%/℃ (0~50℃)
	Vibration	10~500Hz, 5G 12min./1 cycle, period for 72min. each along X,Y,Z axes
Safety & EMC	Safety standards	UL8750+UL1310 Class 2 unit
	Withstand voltage	I/P-O/P:1500VAC
	Isolation resistance	I/P-O/P: 100MΩ/500VDC/25℃/70%RH
Others	EMC EMISSION	FCC Part 15 B
	Net. Weight	1.2Kg
	Size	230*70*46mm (L*W*H)
	packing	324*279*176mm 10PCS/CTN

Les deux options de montage sont inclus / Both canopy mounting options are included

Transformateur encastré / Recessed driver



Transformateur montage surface / Surface mounted canopy





LUMINAIRE AUTHENTIK

Notre collection Linéaire (Linjär et Platt) utilise une bande LED "Dim to Warm" pour offrir une ambiance unique à vos besoins. Pour garantir la meilleure performance possible, voilà une liste de gradateurs qui ont été testés et approuvés pour cette technologie. Pour de meilleurs résultats, assurez-vous d'avoir une alimentation électrique stable.

Our Linear collection (Linjär and Platt) uses a "Dim to Warm" LED strip to provide a unique ambiance to your needs. To ensure the best possible performance, here is a list of dimmers that have been tested and approved for this technology. For best results, make sure you have a stable power supply.

Gradateurs Recommandés / Recommended Dimmers

LUTRON SCL-153PR-WH
LUTRON DVCL-153PR-WH / DVCL-153P-BL
LUTRON DVWCL-153PH-LA
LUTRON CTCL-153PDH-LA
LUTRON TGCL-153PR-WH / TGCL-153PH-WH
LUTRON MACL-153MH-LA / MACL-153M-BR
LUTRON CT-600PR-IV / CT-600PR-WH / CT-603PGH-WH / CT-103PR-WH
LUTRON DV-600PR-BL / DV-600PR-WH
LUTRON DVW-603PGH-WH
LUTRON TG-600PR-LA / TG-600PR-IV / TG-600PR-WH / TG-10PR-WH
LUTRON S-600PR-WH
LUTRON MRF2-6ND-120-AL / MRF2-6CL-GR / MRF2-6ELV-120-TP
LUTRON MSCELV-600M-BI

Spécification bande LED / Strip specification

CCT-Tunable Series | 2835 LED W+W Warm Dim
Puissance / Power : 14.4W/M [4.39W/ft.] @2400K
Voltage : 24VDC
1800K-3000K
Dimmable

*Pour plus d'information, communiquez avec nous. / For more information, contact us.