



## Bage 84-LA00-LED

**Type:** Suspension/Pendant

**Matériaux/Materials:** Aluminium powder coat

**Specifications:** Bande LED Stripe • Driver 60W24VDC

**Poids/Weight:** 10 lb.

**Garantie/Warranty:** 2 ans/years

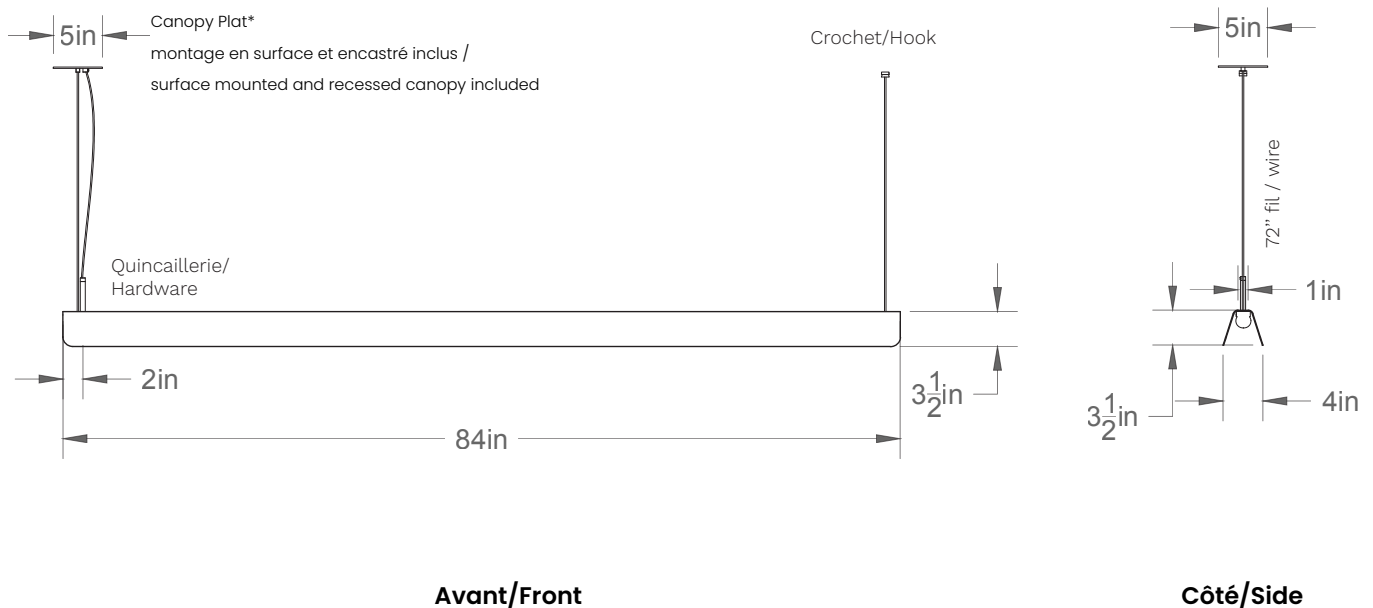
**Certification:** cUL<sup>us</sup>

Usage intérieur seulement/Indoor use only

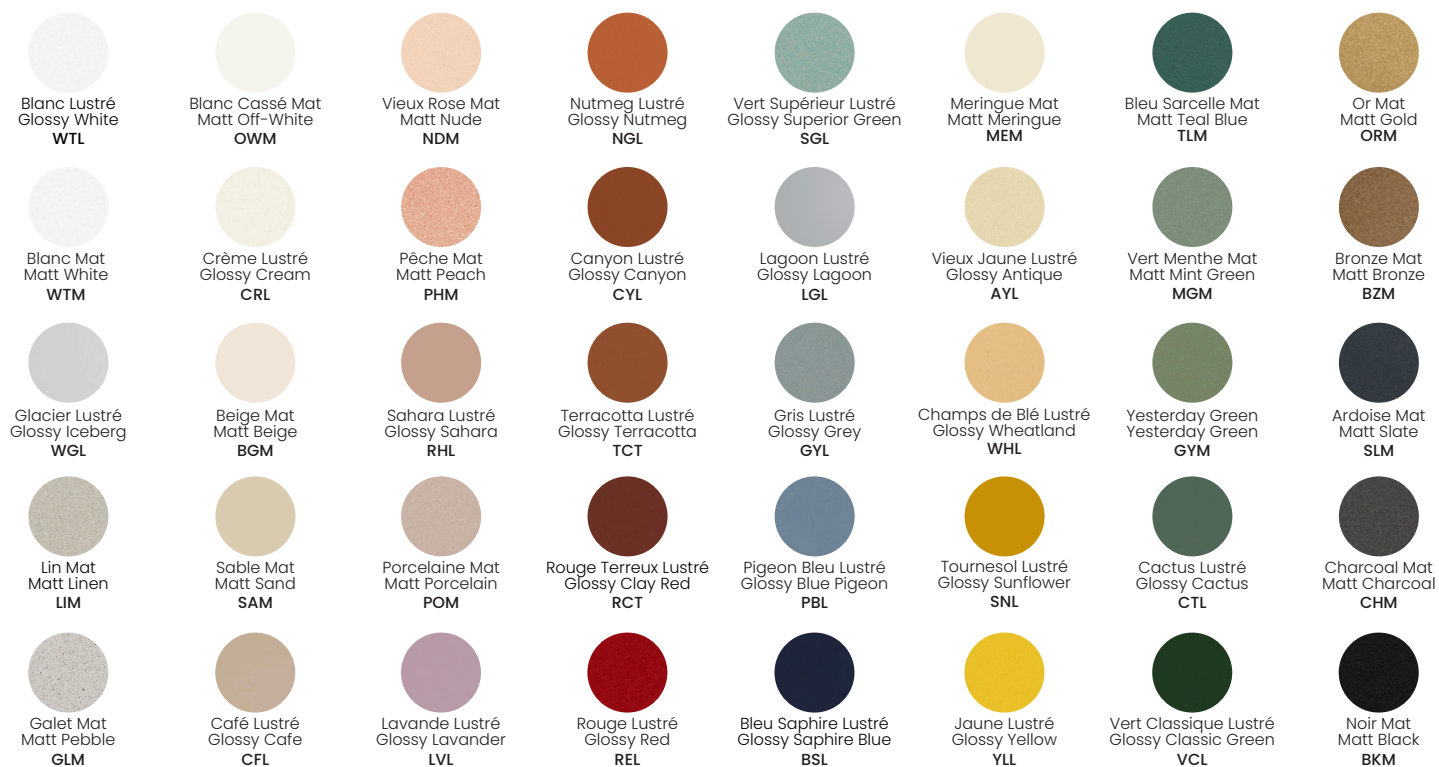
**Lien 3D/link:** [Cliquez ici/Click here](#)

Pour tous les fichiers 3D, incluant CAD, Revit et IES, visitez le [www.luminaireauthentik.com](http://www.luminaireauthentik.com)

For 3D drawings of all products, including CAD, Revit and IES files, please visit [www.luminaireauthentik.com](http://www.luminaireauthentik.com)



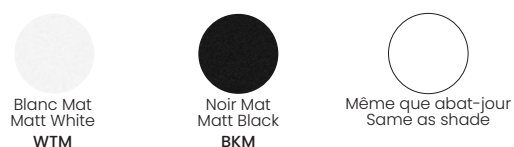
**Choisir la couleur de l'abat-jour / Choose shade colour**



**Choisir la couleur du fil (6' de base et +) / Choose wire colour (6' standard and +)**



**Choisir la couleur de canopy / Choose canopy colour**



**Choisir la couleur de la quincaillerie / Choose hardware colour**



Laiton  
Brass  
**BRR**



Nickel  
Nickel  
**NIR**



Même couleur que abat-jour  
Same as colour shade

**Choisir la couleur de quincaillerie de suspension / Choose suspension hardware colour**



Laiton  
Brass  
**BRR**



Nickel Satin  
Satin Nickel  
**NIR**

**Choisir la couleur de câble de suspension / Choose suspension cable colour**



Acier  
Stainless Steel  
**CST**



Noir  
Black  
**CBK**

**Choisir la couleur de crochet / Choose hook colour**



Laiton  
Brass  
**BRR**



Nickel Satin  
Satin Nickel  
**NIR**



Noir Mat  
Matt Black  
**BKM**



Blanc Mat  
Matt White  
**WTM**

**Choisir les options de la bande LED / Choose LED Strip options**



275 L - 3W - 24K TO 35K  
DIMMABLE  
(275L/3W/24K-35K/D-W)



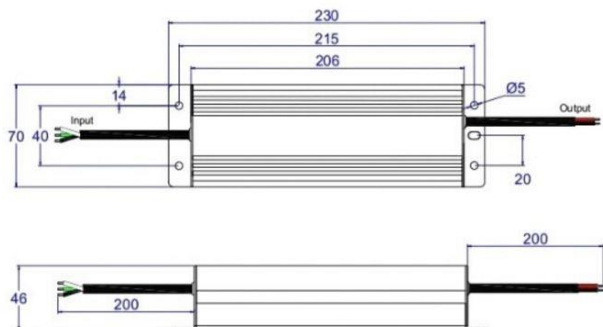
460 L - 6W - 3000K DIMMABLE  
(460L/6W/30K/DIM)



610 L - 6W - 27K TO 35K DIMMABLE  
(610L/6W/27K-35K/D-W)

## Specification de transformateur/ Driver specifications

### Dimension



### Label

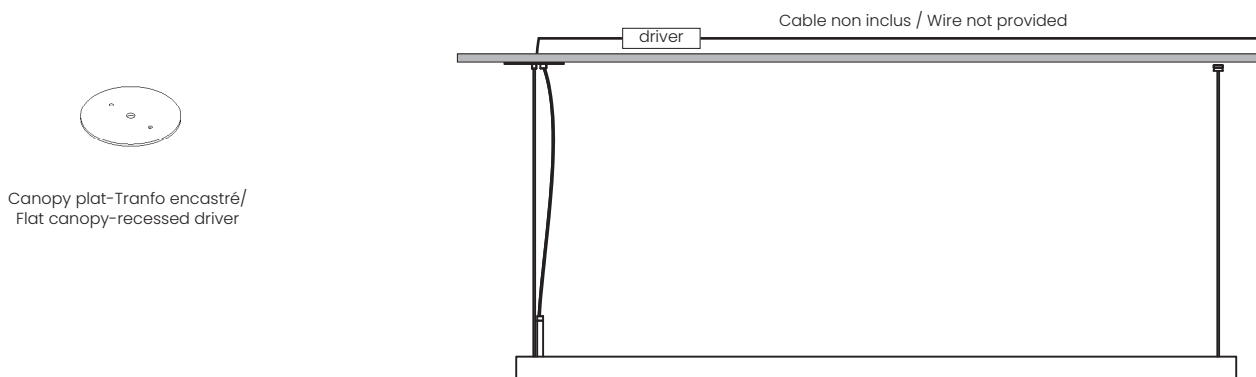


※ Input black(L) and white(N) wires to be connected AC, Green wire to be connected ground; output red and black wires to be connected led lighting.

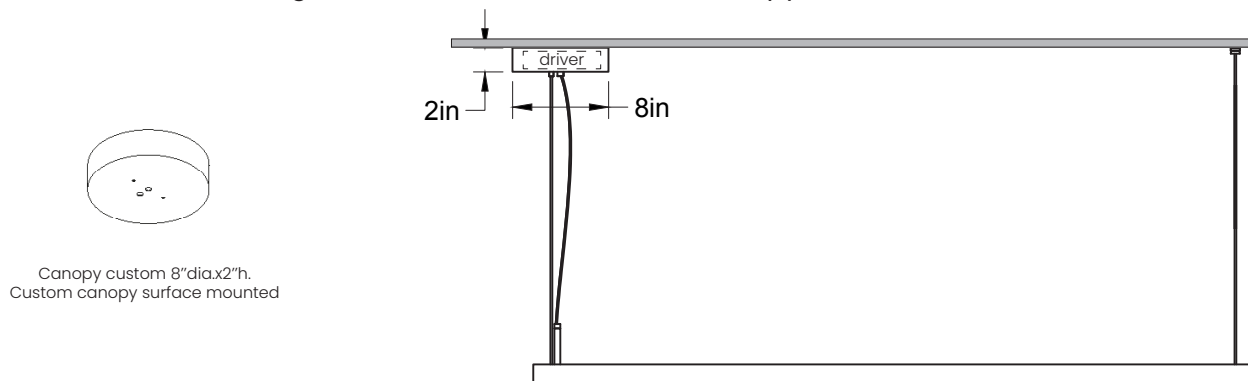
Model	KVP-24080-TDL	KVP-24096-TDL
<b>Certificates</b>	ETL,cETL,FCC	ETL,cETL,FCC
<b>Output</b>	DC Voltage	24V
	Voltage Tolerance	±0.5V
	Rated current	3.33A
	Rated power	80W
<b>Input</b>	Voltage Range	100~130VAC
	Frequency Range	50~60HZ
	Power Factor	0.65(Full loading)
	Efficiency (Typ.)	83%
	AC Current (Max.)	1.70A
	Leakage current	< 0.50mA/120VAC
<b>Protection</b>	Short Circuit	Hiccup mode, recover automatically after fault condition is removed
	Over Current	≤1.2*I out
	Over Loading	≤120%
	Over temperature	100℃±10℃, Shut down o/p voltage, recover automatically after temperature goes down.
<b>Environment</b>	Working TEMP.	-40~+60℃
	Working Humidity	20~95%RH, non-condensing
	Storage TEMP. Humidity	-40~+80℃, 10~95%RH
	TEMP .coefficient	±0.03%/℃ (0~50℃)
	Vibration	10~500Hz, 5G 12min./1 cycle, period for 72min. each along X,Y,Z axes
<b>Safety &amp; EMC</b>	Safety standards	UL8750+UL1310 Class 2 unit
	Withstand voltage	I/P-O/P:1500VAC
	Isolation resistance	I/P-O/P: 100MΩ/500VDC/25℃/70%RH
<b>Others</b>	EMC EMISSION	FCC Part 15 B
	Net. Weight	1.2Kg
	Size	230*70*46mm (L*W*H)
	packing	324*279*176mm 10PCS/CTN

Les deux options de montage sont inclus / Both canopy mounting options are included

### Transformateur encastré / Recessed driver



### Transformateur montage surface / Surface mounted canopy





LUMINAIRE AUTHENTIK

Notre collection Linéaire (Linjär et Platt) utilise une bande LED "Dim to Warm" pour offrir une ambiance unique à vos besoins. Pour garantir la meilleure performance possible, voilà une liste de gradateurs qui ont été testés et approuvés pour cette technologie. Pour de meilleurs résultats, assurez-vous d'avoir une alimentation électrique stable.

Our Linear collection (Linjär and Platt) uses a "Dim to Warm" LED strip to provide a unique ambiance to your needs. To ensure the best possible performance, here is a list of dimmers that have been tested and approved for this technology. For best results, make sure you have a stable power supply.

### *Gradateurs Recommandés / Recommended Dimmers*

LUTRON SCL-153PR-WH  
LUTRON DVCL-153PR-WH / DVCL-153P-BL  
LUTRON DVWCL-153PH-LA  
LUTRON CTCL-153PDH-LA  
LUTRON TGCL-153PR-WH / TGCL-153PH-WH  
LUTRON MACL-153MH-LA / MACL-153M-BR  
LUTRON CT-600PR-IV / CT-600PR-WH / CT-603PGH-WH / CT-103PR-WH  
LUTRON DV-600PR-BL / DV-600PR-WH  
LUTRON DVW-603PGH-WH  
LUTRON TG-600PR-LA / TG-600PR-IV / TG-600PR-WH / TG-10PR-WH  
LUTRON S-600PR-WH  
LUTRON MRF2-6ND-120-AL / MRF2-6CL-GR / MRF2-6ELV-120-TP  
LUTRON MSCELV-600M-BI

### *Spécification bande LED / Strip specification*

CCT-Tunable Series | 2835 LED W+W Warm Dim  
Puissance / Power : 14.4W/M [4.39W/ft.] @2400K  
Voltage : 24VDC  
1800K-3000K  
Dimmable

\*Pour plus d'information, communiquez avec nous. / For more information, contact us.