



## Bage 72-LA00-LED

**Type:** Suspension/Pendant

**Matériaux/Materials:** Aluminium powder coat

**Specifications:** Bande LED Stripe • Driver 60W24VDC

**Poids/Weight:** 7 lb.

**Garantie/Warranty:** 2 ans/years

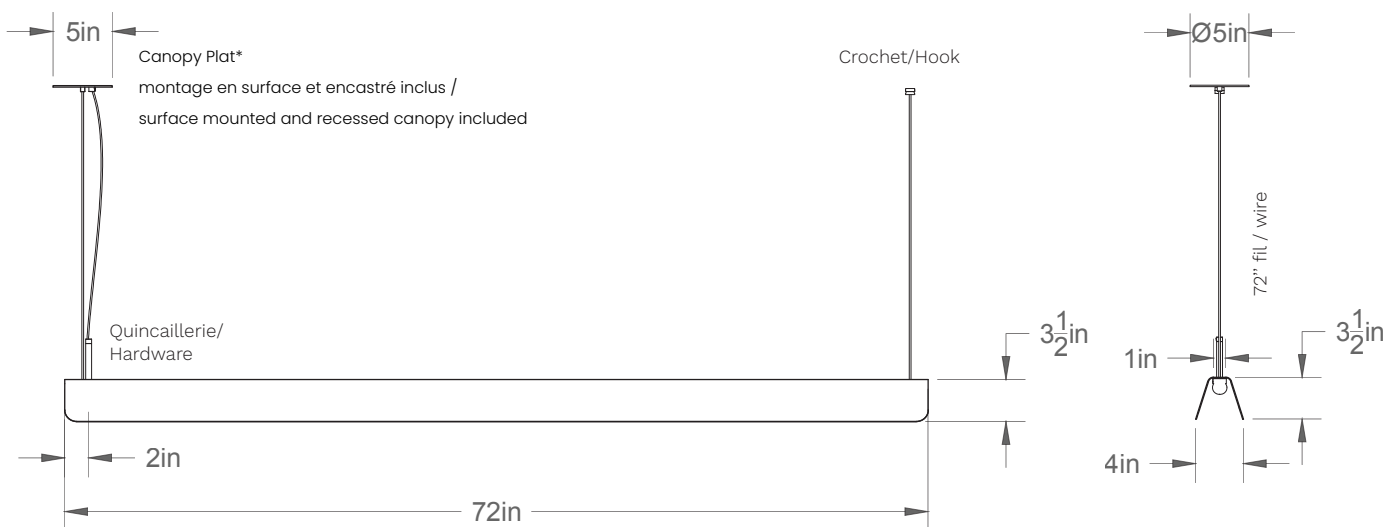
**Certification:** cUL<sup>us</sup>

Usage intérieur seulement/Indoor use only

**Lien 3D/link:** [Cliquez ici/Click here](#)

Pour tous les fichiers 3D, incluant CAD, Revit et IES, visitez le [www.luminaireauthentik.com](http://www.luminaireauthentik.com)

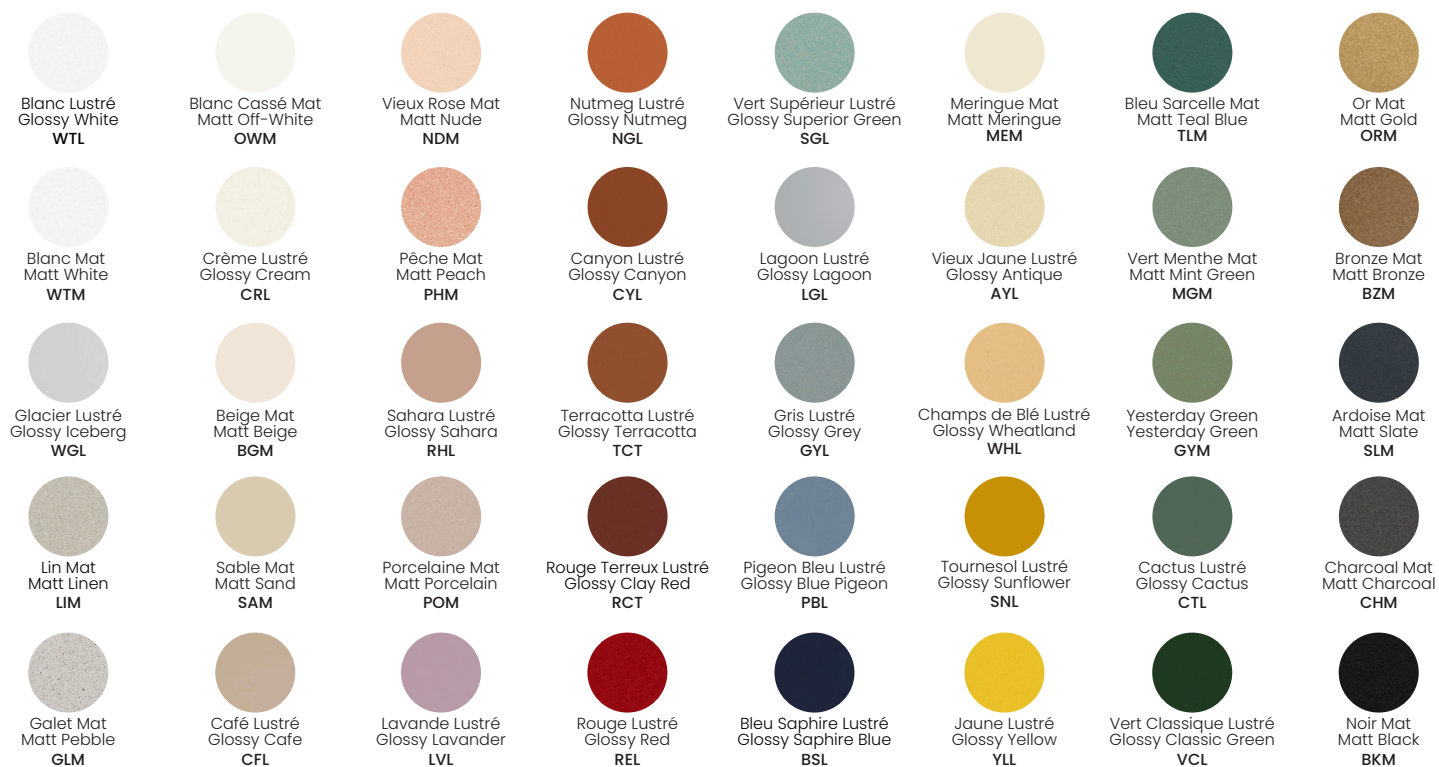
For 3D drawings of all products, including CAD, Revit and IES files, please visit [www.luminaireauthentik.com](http://www.luminaireauthentik.com)



**Avant/Front**

**Côté/Side**

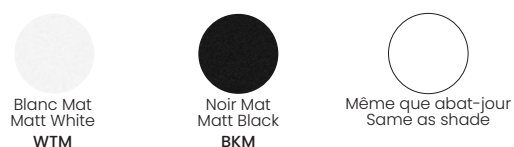
**Choisir la couleur de l'abat-jour / Choose shade colour**



**Choisir la couleur du fil (6' de base et +) / Choose wire colour (6' standard and +)**



**Choisir la couleur de canopy / Choose canopy colour**



**Choisir la couleur de la quincaillerie / Choose hardware colour**



Laiton  
Brass  
**BRR**



Nickel  
Nickel  
**NIR**



Même couleur que abat-jour  
Same as colour shade

**Choisir la couleur de quincaillerie de suspension / Choose suspension hardware colour**



Laiton  
Brass  
**BRR**



Nickel Satin  
Satin Nickel  
**NIR**

**Choisir la couleur de câble de suspension / Choose suspension cable colour**



Acier  
Stainless Steel  
**CST**



Noir  
Black  
**CBK**

**Choisir la couleur de crochet / Choose hook colour**



Laiton  
Brass  
**BRR**



Nickel Satin  
Satin Nickel  
**NIR**



Noir Mat  
Matt Black  
**BKM**



Blanc Mat  
Matt White  
**WTM**

**Choisir les options de la bande LED / Choose LED Strip options**



275 L - 3W - 24K TO 35K  
DIMMABLE  
(275L/3W/24K-35K/D-W)



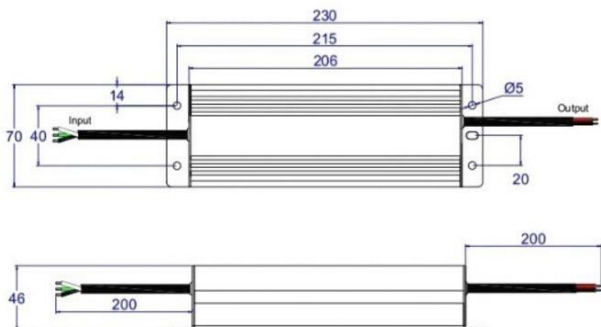
460 L - 6W - 3000K DIMMABLE  
(460L/6W/30K/DIM)



610 L - 6W - 27K TO 35K DIMMABLE  
(610L/6W/27K-35K/D-W)

## Specification de transformateur/ Driver specifications

### Dimension



### Label

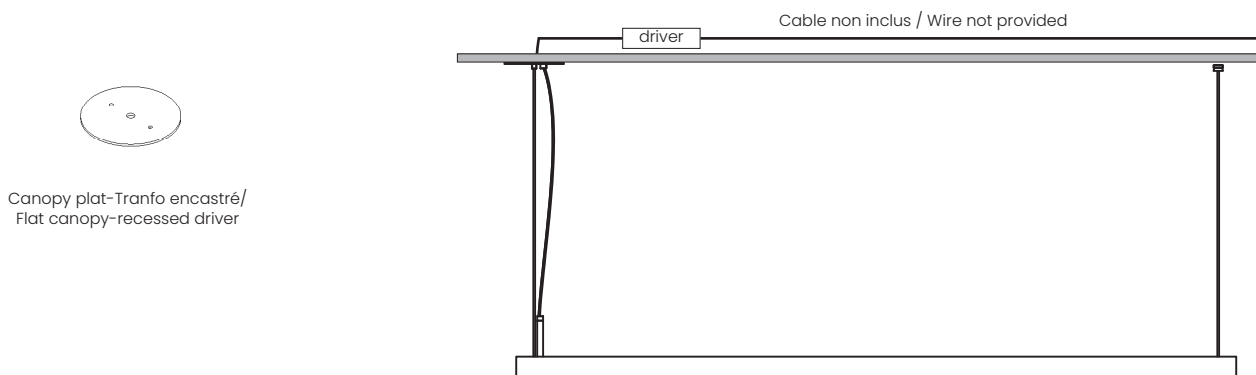


※ Input black(L) and white(N) wires to be connected AC, Green wire to be connected ground; output red and black wires to be connected led lighting.

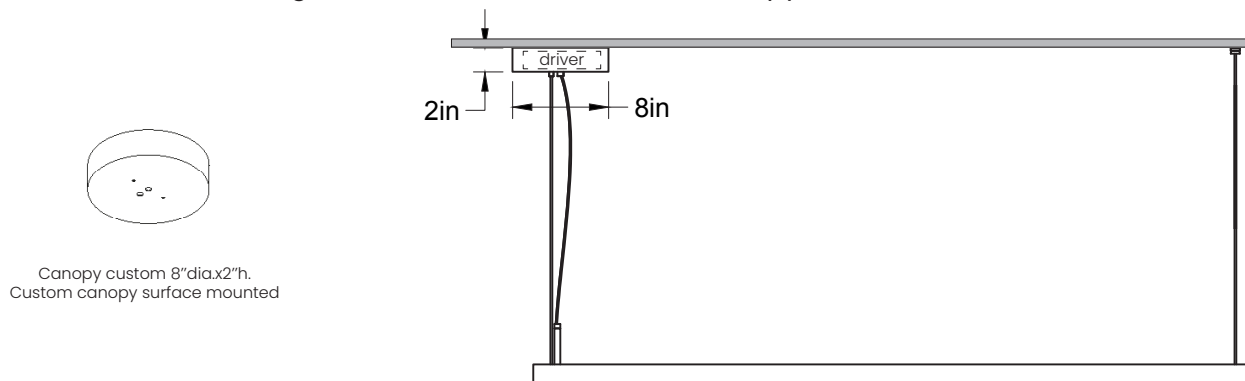
| Model                   | KVP-24080-TDL          | KVP-24096-TDL   |
|-------------------------|------------------------|---|
| <b>Certificates</b>     | ETL,cETL,FCC           | ETL,cETL,FCC  |
| <b>Output</b>           | DC Voltage             | 24V   |
|                         | Voltage Tolerance      | ±0.5V   |
|                         | Rated current          | 3.33A   |
|                         | Rated power            | 80W   |
| <b>Input</b>            | Voltage Range          | 100~130VAC  |
|                         | Frequency Range        | 50~60HZ   |
|                         | Power Factor           | 0.65(Full loading)  |
|                         | Efficiency (Typ.)      | 83%   |
|                         | AC Current (Max.)      | 1.70A   |
|                         | Leakage current        | < 0.50mA/120VAC   |
| <b>Protection</b>       | Short Circuit          | Hiccup mode, recover automatically after fault condition is removed                 |
|                         | Over Current           | ≤1.2*I out  |
|                         | Over Loading           | ≤120%   |
|                         | Over temperature       | 100℃±10℃, Shut down o/p voltage, recover automatically after temperature goes down. |
| <b>Environment</b>      | Working TEMP.          | -40~+60℃  |
|                         | Working Humidity       | 20~95%RH, non-condensing  |
|                         | Storage TEMP. Humidity | -40~+80℃, 10~95%RH  |
|                         | TEMP .coefficient      | ±0.03%/℃ (0~50℃)  |
|                         | Vibration              | 10~500Hz, 5G 12min./1 cycle, period for 72min. each along X,Y,Z axes                |
| <b>Safety &amp; EMC</b> | Safety standards       | UL8750+UL1310 Class 2 unit  |
|                         | Withstand voltage      | I/P-O/P:1500VAC   |
|                         | Isolation resistance   | I/P-O/P: 100MΩ/500VDC/25℃/70%RH   |
| <b>Others</b>           | EMC EMISSION           | FCC Part 15 B   |
|                         | Net. Weight            | 1.2Kg   |
|                         | Size                   | 230*70*46mm (L*W*H)   |
|                         | packing                | 324*279*176mm 10PCS/CTN   |

Les deux options de montage sont inclus / Both canopy mounting options are included

### Transformateur encastré / Recessed driver



### Transformateur montage surface / Surface mounted canopy





LUMINAIRE AUTHENTIK

Notre collection Linéaire (Linjär et Platt) utilise une bande LED "Dim to Warm" pour offrir une ambiance unique à vos besoins. Pour garantir la meilleure performance possible, voilà une liste de gradateurs qui ont été testés et approuvés pour cette technologie. Pour de meilleurs résultats, assurez-vous d'avoir une alimentation électrique stable.

Our Linear collection (Linjär and Platt) uses a "Dim to Warm" LED strip to provide a unique ambiance to your needs. To ensure the best possible performance, here is a list of dimmers that have been tested and approved for this technology. For best results, make sure you have a stable power supply.

### *Gradateurs Recommandés / Recommended Dimmers*

LUTRON SCL-153PR-WH  
LUTRON DVCL-153PR-WH / DVCL-153P-BL  
LUTRON DVWCL-153PH-LA  
LUTRON CTCL-153PDH-LA  
LUTRON TGCL-153PR-WH / TGCL-153PH-WH  
LUTRON MACL-153MH-LA / MACL-153M-BR  
LUTRON CT-600PR-IV / CT-600PR-WH / CT-603PGH-WH / CT-103PR-WH  
LUTRON DV-600PR-BL / DV-600PR-WH  
LUTRON DVW-603PGH-WH  
LUTRON TG-600PR-LA / TG-600PR-IV / TG-600PR-WH / TG-10PR-WH  
LUTRON S-600PR-WH  
LUTRON MRF2-6ND-120-AL / MRF2-6CL-GR / MRF2-6ELV-120-TP  
LUTRON MSCELV-600M-BI

### *Spécification bande LED / Strip specification*

CCT-Tunable Series | 2835 LED W+W Warm Dim  
Puissance / Power : 14.4W/M [4.39W/ft.] @2400K  
Voltage : 24VDC  
1800K-3000K  
Dimmable

\*Pour plus d'information, communiquez avec nous. / For more information, contact us.