



Bage 60-LA00-LED

Type: Suspension/Pendant

Matériaux/Materials: Aluminium powder coat

Specifications: Bande LED Stripe • Driver 60W24VDC

Poids/Weight: 7 lb.

Garantie/Warranty: 2 ans/years

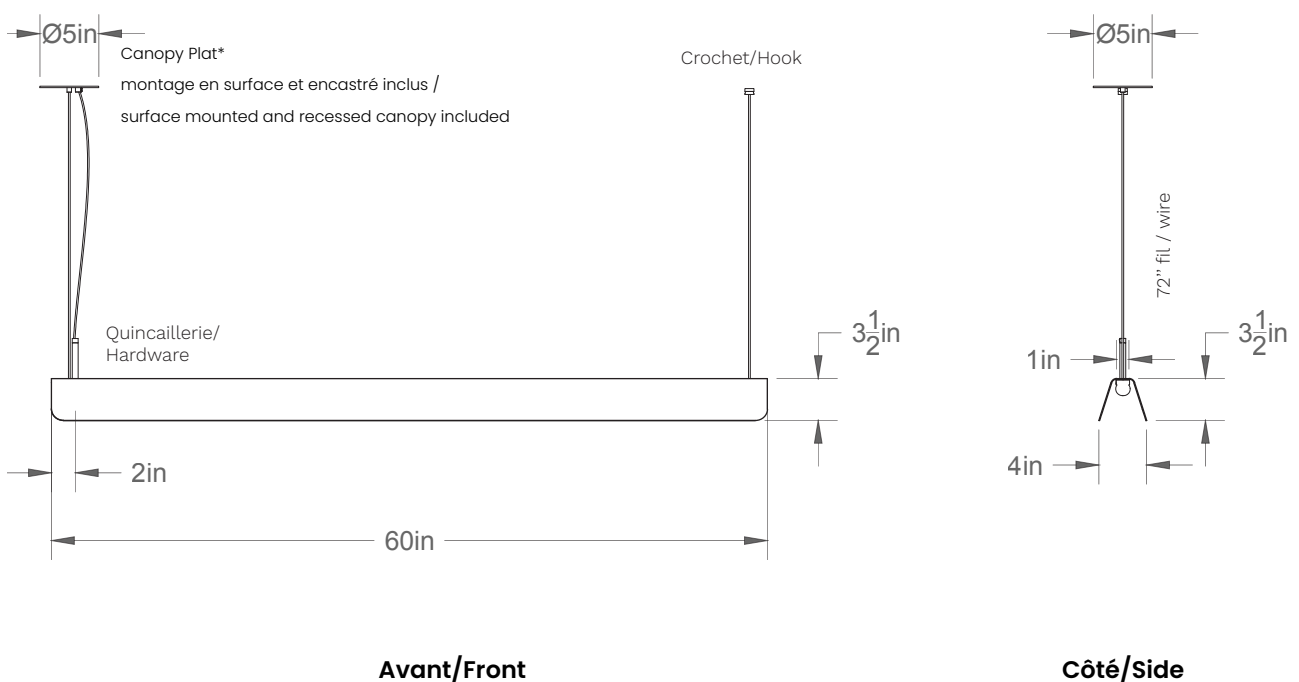
Certification: cUL_{us}

Usage intérieur seulement/Indoor use only

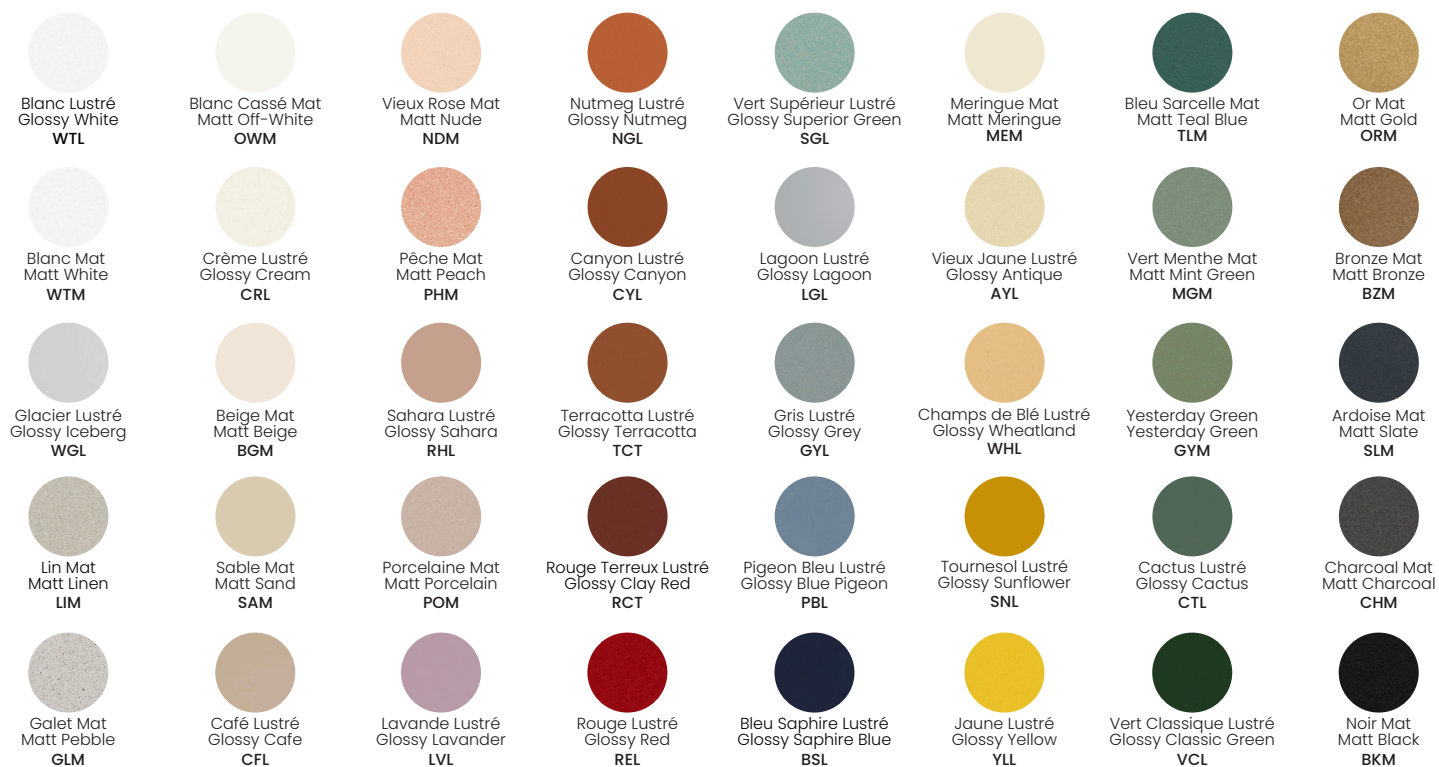
Lien 3D/link: [Cliquez ici/Click here](#)

Pour tous les fichiers 3D, incluant CAD, Revit et IES, visitez le www.luminaireauthentik.com

For 3D drawings of all products, including CAD, Revit and IES files, please visit www.luminaireauthentik.com



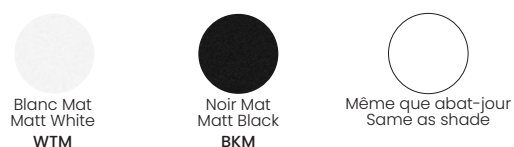
Choisir la couleur de l'abat-jour / Choose shade colour



Choisir la couleur du fil (6' de base et +) / Choose wire colour (6' standard and +)



Choisir la couleur de canopy / Choose canopy colour



Choisir la couleur de la quincaillerie / Choose hardware colour



Laiton
Brass
BRR



Nickel
Nickel
NIR



Même couleur que abat-jour
Same as colour shade

Choisir la couleur de quincaillerie de suspension / Choose suspension hardware colour



Laiton
Brass
BRR



Nickel Satin
Satin Nickel
NIR

Choisir la couleur de câble de suspension / Choose suspension cable colour



Acier
Stainless Steel
CST



Noir
Black
CBK

Choisir la couleur de crochet / Choose hook colour



Laiton
Brass
BRR



Nickel Satin
Satin Nickel
NIR



Noir Mat
Matt Black
BKM



Blanc Mat
Matt White
WTM

Choisir les options de la bande LED / Choose LED Strip options



275 L - 3W - 24K TO 35K
DIMMABLE
(275L/3W/24K-35K/D-W)



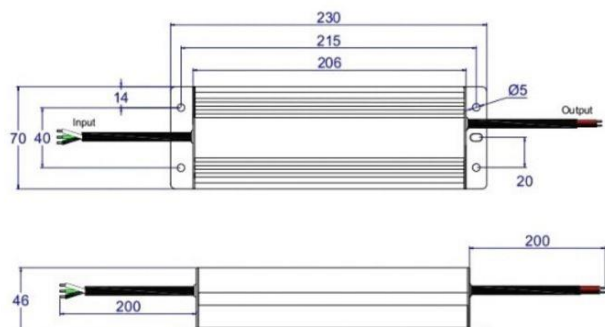
460 L - 6W - 3000K DIMMABLE
(460L/6W/30K/DIM)



610 L - 6W - 27K TO 35K DIMMABLE
(610L/6W/27K-35K/D-W)

Specification de transformateur/ Driver specifications

Dimension



Label

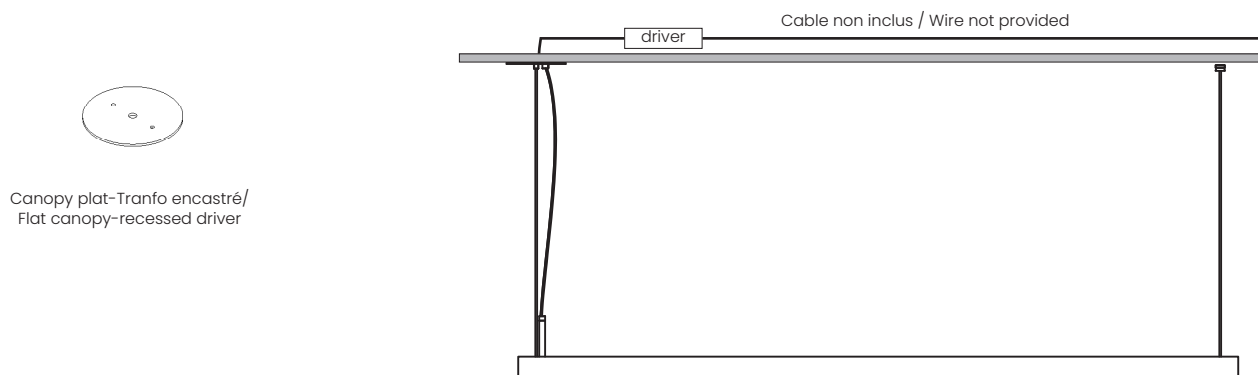


※ Input black(L) and white(N) wires to be connected AC, Green wire to be connected ground; output red and black wires to be connected led lighting.

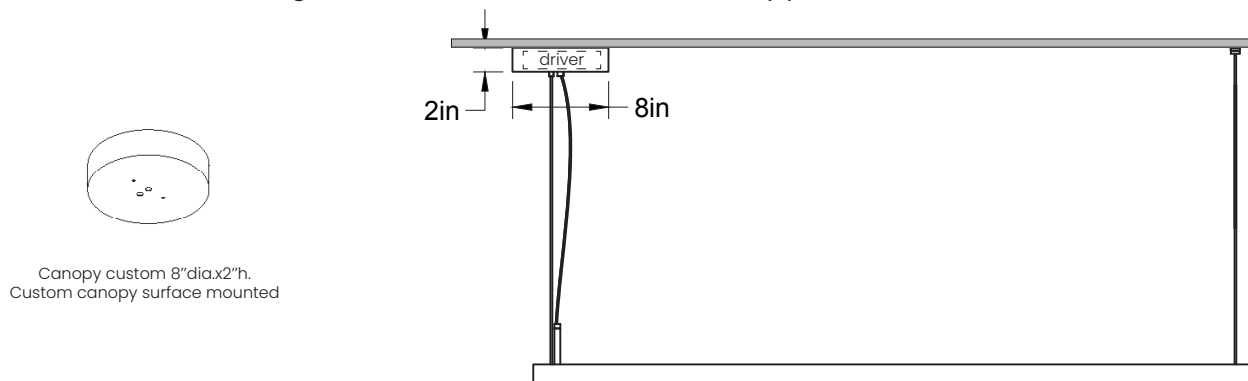
Model	KVP-24080-TDL	KVP-24096-TDL
Certificates	ETL,cETL,FCC	ETL,cETL,FCC
Output	DC Voltage	24V
	Voltage Tolerance	±0.5V
	Rated current	3.33A
	Rated power	80W
Input	Voltage Range	100~130VAC
	Frequency Range	50~60HZ
	Power Factor	0.65(Full loading)
	Efficiency (Typ.)	83%
	AC Current (Max.)	1.70A
	Leakage current	< 0.50mA/120VAC
Protection	Short Circuit	Hiccup mode, recover automatically after fault condition is removed
	Over Current	≤1.2*I out
	Over Loading	≤120%
	Over temperature	100℃±10℃, Shut down o/p voltage, recover automatically after temperature goes down.
Environment	Working TEMP.	-40~+60℃
	Working Humidity	20~95%RH, non-condensing
	Storage TEMP. Humidity	-40~+80℃, 10~95%RH
	TEMP .coefficient	±0.03%/℃ (0~50℃)
	Vibration	10~500Hz, 5G 12min./1 cycle, period for 72min. each along X,Y,Z axes
Safety & EMC	Safety standards	UL8750+UL1310 Class 2 unit
	Withstand voltage	I/P-O/P:1500VAC
	Isolation resistance	I/P-O/P: 100MΩ/500VDC/25℃/70%RH
Others	EMC EMISSION	FCC Part 15 B
	Net. Weight	1.2Kg
	Size	230*70*46mm (L*W*H)
	packing	324*279*176mm 10PCS/CTN

Les deux options de montage sont inclus / Both canopy mounting options are included

Transformateur encastré / Recessed driver



Transformateur montage surface / Surface mounted canopy





LUMINAIRE AUTHENTIK

Notre collection Linéaire (Linjär et Platt) utilise une bande LED "Dim to Warm" pour offrir une ambiance unique à vos besoins. Pour garantir la meilleure performance possible, voilà une liste de gradateurs qui ont été testés et approuvés pour cette technologie. Pour de meilleurs résultats, assurez-vous d'avoir une alimentation électrique stable.

Our Linear collection (Linjär and Platt) uses a "Dim to Warm" LED strip to provide a unique ambiance to your needs. To ensure the best possible performance, here is a list of dimmers that have been tested and approved for this technology. For best results, make sure you have a stable power supply.

Gradateurs Recommandés / Recommended Dimmers

LUTRON SCL-153PR-WH
LUTRON DVCL-153PR-WH / DVCL-153P-BL
LUTRON DVWCL-153PH-LA
LUTRON CTCL-153PDH-LA
LUTRON TGCL-153PR-WH / TGCL-153PH-WH
LUTRON MACL-153MH-LA / MACL-153M-BR
LUTRON CT-600PR-IV / CT-600PR-WH / CT-603PGH-WH / CT-103PR-WH
LUTRON DV-600PR-BL / DV-600PR-WH
LUTRON DVW-603PGH-WH
LUTRON TG-600PR-LA / TG-600PR-IV / TG-600PR-WH / TG-10PR-WH
LUTRON S-600PR-WH
LUTRON MRF2-6ND-120-AL / MRF2-6CL-GR / MRF2-6ELV-120-TP
LUTRON MSCELV-600M-BI

Spécification bande LED / Strip specification

CCT-Tunable Series | 2835 LED W+W Warm Dim
Puissance / Power : 14.4W/M [4.39W/ft.] @2400K
Voltage : 24VDC
1800K-3000K
Dimmable

*Pour plus d'information, communiquez avec nous. / For more information, contact us.