



Mineral Crema 1205-LA20/40

Type : Applique/Flushmount


Matériaux/Materials: Acier Plaqué/Plated Steel • verre/Glass

Specifications: E26 base LED, 120 volts, dimmable

Ampoule/Bulb: Tala Sphere I 3 Watt • 220 Lumens • 2000K to 2800K Dim to warm

Poids/Weight: 5 lb.

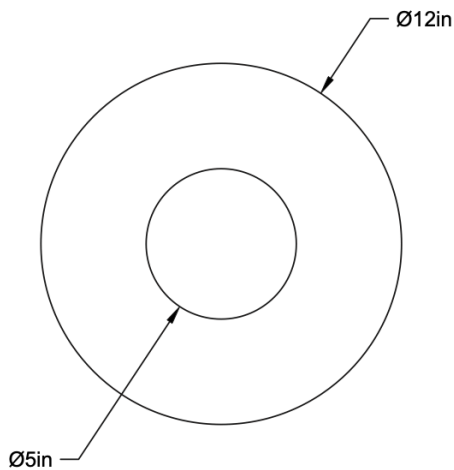
Garantie/Warranty: 5 ans/years

Certification: 

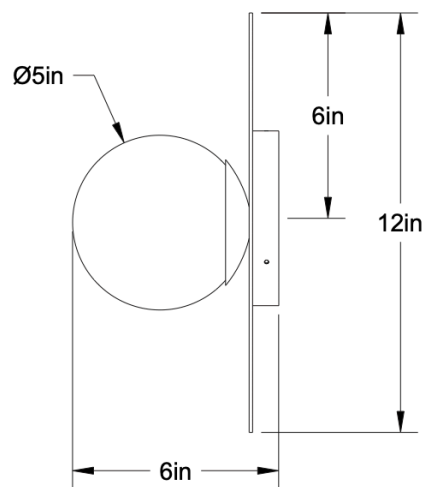
Usage intérieur seulement/Indoor use only

Lien 3D/link: <https://a360.co/3Ercqcu>

Pour tous les fichiers 3D, incluant CAD, Revit et IES, visitez le www.luminaireauthentik.com / For 3D drawings of all products, including CAD, Revit and IES files, please visit www.luminaireauthentik.com



Avant/Front



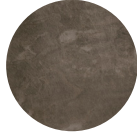
Dessus/Top

Luxe Collection

Mineral



MIN.FAM
Mineral fauve
mat



MIN.MIM
Mineral mist
lustré



MIN.TOL
Mineral tortoise
lustré

Finition boules de verre /Glass balls finishes



GB.C.G
Clair givré/
Clair frosted



GB.KG
Fumée givrée/
Frosted smoke



GB.TEA
Tea clair givrée/
Frosted tea



GB.G.F
Truffe clair givrée/
Frosted truffle



GB.AG
Argile clair givré/
Frosted clay



GB.OL
Opale lustré/
Glossy opal



GB.OG
Opale givré/
Frosted opal



GB.SG
Swivel clair givré/
frosted swirl



GB.ANG
Ananas clair givré/
frosted pineapple



GB.CL
Clair lustré/
lustery clair



GB.KL
Clair fumé lustré/
glossy smoke



GB.TEA
Clair tea lustré/
lustered tea



GB.FL
Clair truffe lustré/
Lustré truffe



GB.AL
Clair argile lustré/
lustered clay



GB.SL
Clair swirl lustré/
Swirl glossy



GB.ANL
clair ananas lustré/
lustered pineapple