



## Chrome Arch-LA20/40

Type : Applique/Flushmount

Matériaux/Materials : Miroir Givré/Frosted Mirror •  
verre/Glass

Specifications: E26 base LED, 120 volts, dimmable

Ampoule/Bulb : Tala Sphere I 3 Watt • 220 Lumens •  
2000K to 2800K Dim to warm

Poids/Weight: 5 lb.

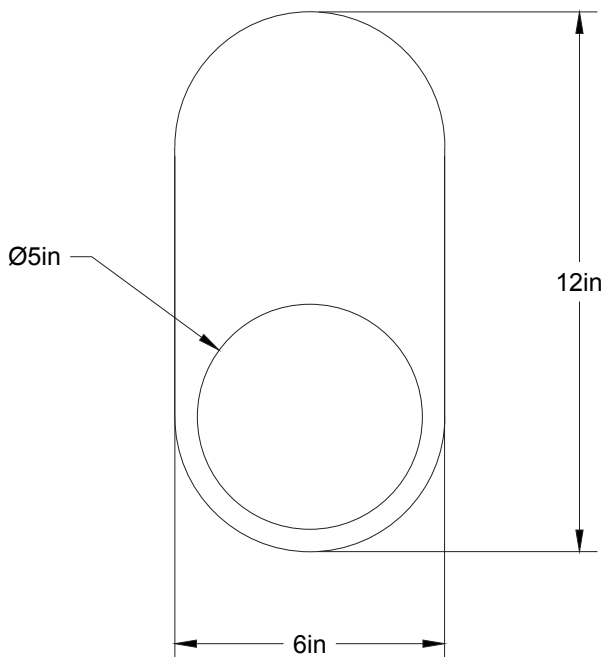
Garantie/Warranty: 5 ans/years

Certification : 

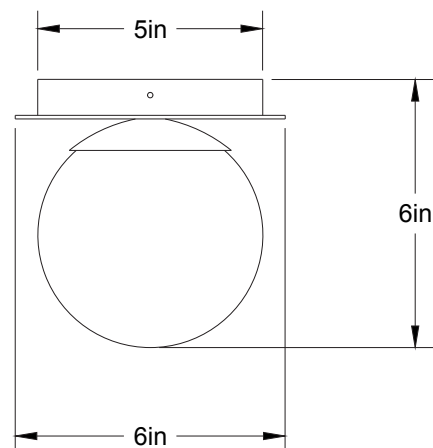
Usage intérieur seulement/indoor use only

Lien 3D/link: <https://a360.co/3lIGYjx>

Pour tous les fichiers 3D, incluant CAD, Revit et IES,  
visitez le [www.luminaireauthentik.com](http://www.luminaireauthentik.com) / For 3D drawings of all products,  
including CAD, Revit and IES files, please visit [www.luminaireauthentik.com](http://www.luminaireauthentik.com)



Avant/Front



Dessus/Top

Luxe Collection

Chrome



CHR.BZS  
Chrome bronze  
smoke



CHR.TIS  
Chrome titane  
smoke

Finition boules de verre /Glass balls finishes



GB.C.G  
Clair givré/  
Clair frosted



GB.KG  
Fumée givrée/  
Frosted smoke



GB.TEA  
Tea clair givrée/  
Frosted tea



GB.G.F  
Truffe clair givrée/  
Frosted truffle



GB.AG  
Argile clair givré/  
Frosted clay



GB.OL  
Opale lustré/  
Glossy opal



GB.OG  
Opale givré/  
Frosted opal



GB.SG  
Swivel clair givré/  
frosted swirl



GB.ANG  
Ananas clair givré/  
frosted pineapple



GB.CL  
Clair lustré/  
lustery clair



GB.KL  
Clair fumé lustré/  
glossy smoke



GB.TEA  
Clair tea lustré/  
lustered tea



GB.FL  
Clair truffe lustré/  
Lustré truffe



GB.AL  
Clair argile lustré/  
lustered clay



GB.SL  
Clair swirl lustré/  
Swirl glossy



GB.ANL  
clair ananas lustré/  
lustered pineapple